

ML800-VFQ

Visual Intercom Face Recognition Terminal



Visual intercom



Face recognition



8-inch touch screen



Ultra-thin high-end design



Wide dynamic dual camera



Product Introduction

ML800-VFQ is an 8 inch touch screen access control terminal. It is a highly reliable door guard machine, supporting visual intercom, face recognition, innovative palmprint recognition technology (optional), Bluetooth, IC card and remote cloud (by app) authentication. It is convenient for users to enter and exit, and protects user privacy. It has deep learning algorithm, fast recognition speed, high accuracy, low heat and power consumption. The 8 inch HD screen can be used as a digital signage display.

Supporting Hanging or Embedded installation, it is widely used in residential areas, parks, buildings, campuses, hospitals and other places

Functional Characteristics

- 1) Many ways to open the door: face recognition, palmprint recognition, mobile phone Bluetooth, mobile phone remote, QR code, swiping card, visual intercom door, etc.
- 2) Android multimedia playback: high performance, low power consumption, Android system, support for picture and video multimedia playback.
- 3) HD touch screen: 8-inch full HD touch screen design.
- 4) Wide dynamic backlight camera: wide dynamic anti-backlight recognition.
- 5) Wired and wireless communication: standard Ethernet, WiFi, 4G communication.
- 6) A variety of extended functions: QR code recognition, ladder control, external reading head, configured as one-button doorbell mode; multi-person combination verification, witness recognition.
- 7) Fine craft manufacturing: high-end aluminum, tempered glass, IP65 waterproof design.
- 8) Compatible with gate posts, wall hangings, embedded installation

Platform Features and Functions

- 1) Unified management of millions of devices in the Internet of things and comprehensive cloud audio and video solutions.
- 2) Million-level terminal access, load balancing, high-speed network.
- 3) A unified platform for integrated visual intercom, access control, visitors, parking lot, charging, ladder control and monitoring.
- 4) Fully support property repair, payment, booking and other functions to meet the needs of owners of the Internet of everything and support property Internet upgrade.
- 5) Real-time event recording, mass storage support.
- 6) Mature API development interface to provide docking and integration services.
- 7) Cloud advertising management, breakpoint continuation and other strategies to ensure the safe distribution of advertising content.

Specification Parameters

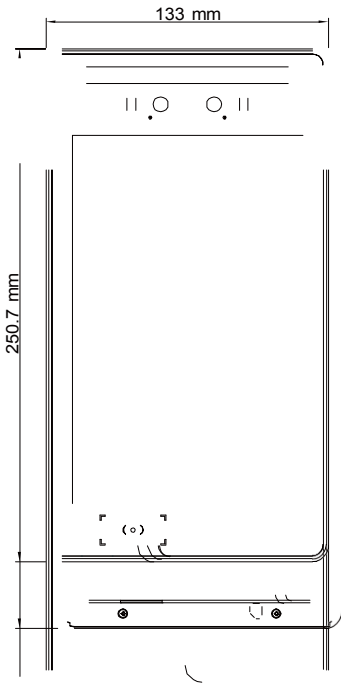
System	Android 11
Main chip	Quad core A55 2.0G
NPU	1T
Screen size	8 inch,800*1280
Touch	Full screen capacitive touch
Memory	2GB
Storage	16GB
Camera	Anti-reverse light width dynamic 2 million double photography
Visual intercom	Support digital intercom and cloud intercom
Dialing mode	Optional input room number, directly click on the room list, support one-click intercom doorbell, support mobile phone number dialing *
Agreement	SIP
Video	H.264
Audio frequency	PCMU
Microphone	Dual digital microphone
Horn	8 Euro 2 watts

.....

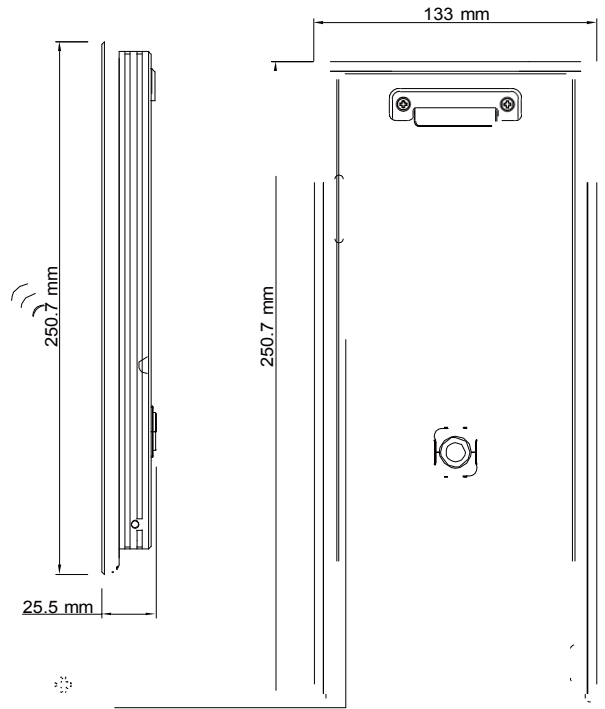
Face capacity	20,000
Card capacity	100 Thousand
Event recording	300000
Radio frequency card type	IC (ISO14443A/B), Mifare/CPU
Elevator control function	Support
Memory	Optional
Two-dimensional code	Optional
Palmprint recognition	Optional
External access control reader	Optional (instructions before placing order)
Wiegand output	Support
Way of opening the door	Face recognition door, mobile phone Bluetooth door, remote door, swipe card door, optional palmprint door
Time schedule	Support
Normally open	Support
Combination verification	Face + card / multi-person combination verification
Bluetooth door opening distance	Barrier-free within 10 meters
Communication mode	Standard Ethernet, WIFI, 4G , CLASS A,B,C network support
Access control function	1 door magnetic, 1 unlocking relay, 1 exit switch, 1 Wiegand input interface, 485 expansion interface
Shell material	Aluminum alloy
Panel material	Toughened glass
Installation mode	Wall hanging, gate posts
Equipment size	250.7*133*25.5mm

.....

Product size (mm)

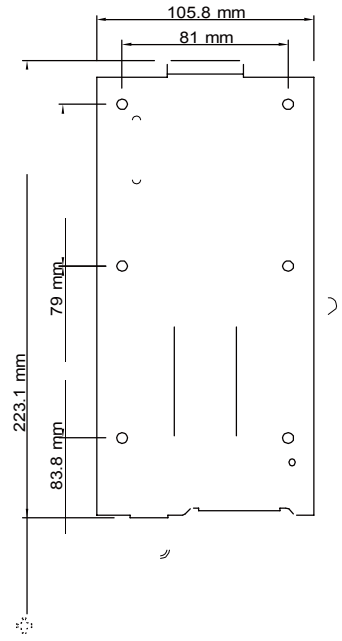


Upright view



Side view

Back view



Hanging board