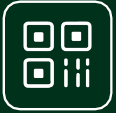


Q336

Metal Waterproof QR code Access Control Machine



QR Code
Open Door



Bluetooth
Open Door



Swipe Card
Open Door



Voice Prompt



Product Introduction

Q336 Metal waterproof QR code access control machine is a control device with integrated QR code, card swiping, Bluetooth and other functions to control scanning and verification through the network. It can be used in access control and elevators. It can be used to verify the entry and exit of employees, owners and visitors, and to achieve convenient access experience through the Internet and the Internet of things. Support networking, offline QR code recognition. All aluminum alloy design, outdoor waterproof, metal physics buttons, intelligent code scanning sensing, open the door by QR code, swipe card, Bluetooth, remote door and so on. . Remote and near-field Bluetooth access is enabled by Using My door butler / My Link Remote Key mobile phone APP.

Functional Characteristics

- 1) integrates the functions of cloud QR code, card swiping and password access control.
- 2) Metal design, firm and durable.
- 3) Ethernet/4G is standard and can be used offline.
- 4) multiple lock unlocking methods: mobile Bluetooth / mobile remote / QR code / card swiping / password unlocking, etc.
- 5) 200W camera.
- 6) remote cloud management to minimize on-site management.
- 7) Seiko, equipment waterproof grade IP65.

Platform Characteristic Function

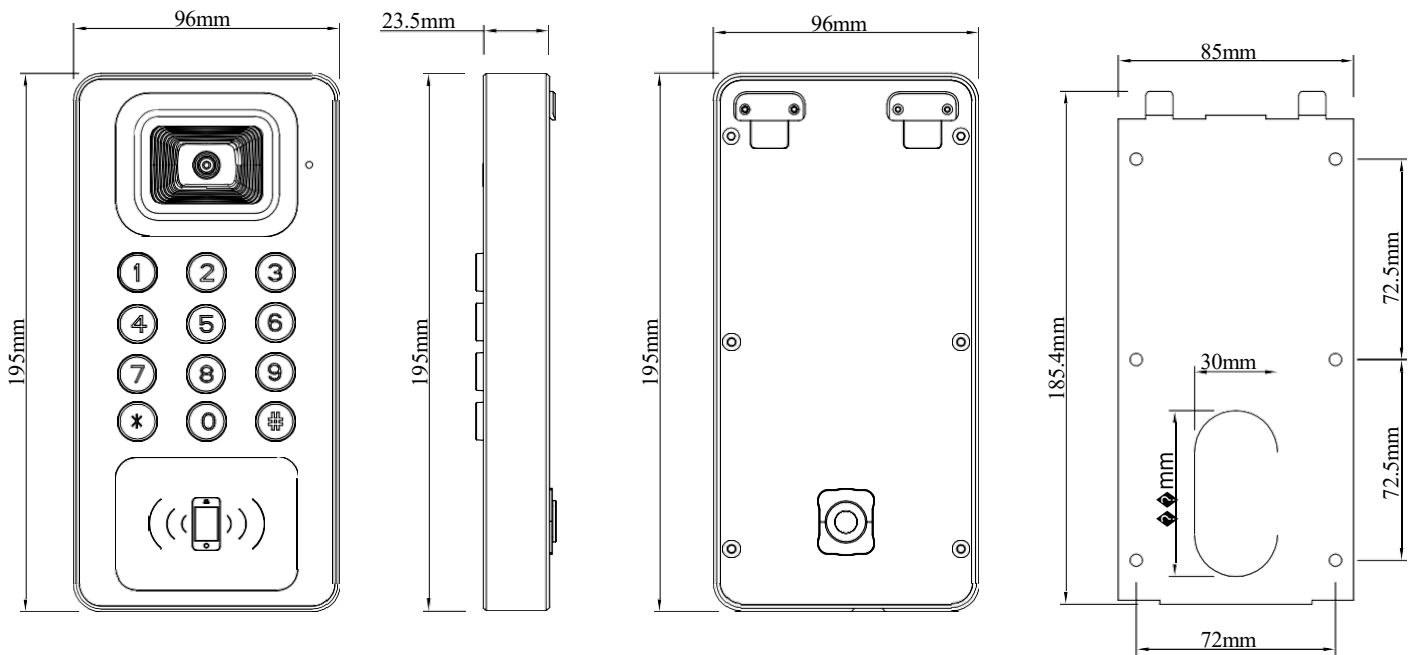
- 1) Unified management of million-level equipment on the Internet of things, fully supporting cloud audio and video solutions
- 2) A unified platform integrating visual intercom, face recognition access control, cloud door control, parking lot, ladder control and monitoring
- 3) Real-time event logging, mass storage support
- 4) Mature API docking service to help the scene land
- 5) Stable and extensible service capability
- 6) A secure and reliable system platform.

Specification Parameter

Main chip	1.5G
Memory	128MB
Storage	128MB
Door opening verification mode	QR code, card, password, remote
Radio frequency card type	IC (ISO14443A/B), ID optional support
Press the key	Metal physics button, 12 key
Networking mode	Ethernet , 4G , CLASS A,B,C networks are supported
Card capacity	100000
Bluetooth door opening distance	Barrier-free within 10 meters
Camera	200W
Supplementary lamp	White light supplementary lamp
Cue lamp	Red, green and white cue lights
Access control input and output	All the way out the door switch, one door magnetic input and one door output
Alarm input	1-way alarm input

Weigen interface	1-way Weigen output interface
RS485 interface	1-way RS485 interface, optional configuration for ladder control linkage
Shell material	Metal, tempered glass
Waterproof grade	IP65 outdoor waterproofing
Operating temperature	-30°C~80°C
Working humidity	10-90%
Power specification	12V/2A
Equipment size	96*23.5*195mm

Equipment size



Upright view

Side view

Rear view

Wall hanging board